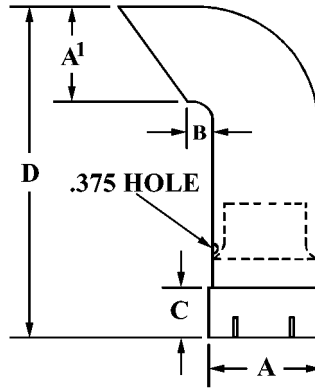


HAPCO
Exhaust Stack Rain Guard

PART NUMBER	SIZE	A	A1	B	C	D
ESRL-3	3	3.0 I.D.	3.0 D.	1.5	3.5	28
ESRL-3-8	3.5	3.5 I.D.	3.5 D.	1.75	3.5	28
ESRL-4	4	4.0 I.D.	4.0 D.	2.0	3.5	28
ESRL-5	5	5.0 I.D.	5.0 D.	2.5	3.5	28
ESRL-6	6	6.0 I.D.	6.0 D.	3.0	3.5	38
ESRL-8	8	8.0 I.D.	8.0 D.	4.0	3.5	38

*For price information see Section 2 Page 12

Optional: Stainless steel or chrome plated finish and with pipe thread or flanged connections.



**Pipe Elbow 45° & 90°
 Short Radius Plain Ends**

Pipe Elbow with 125# ASA Flange

PART NUMBER	A DIAMETER	B	C
FLEL-2	2	2	2.5
FLEL-3	3	3	3.5
FLEL-3-8	3.5	4	4.0
FLEL-4	4	4	4.5
FLEL-5	5	5	5.5
FLEL-6	6	6	6.5
FLEL-8	8	8	8.5
FLEL-10	10	10	10.5
FLEL-12	12	12	12.5

PART NUMBER	SIZE DIAMETER
ELS-2	2
ELS-3	3
ELS-3-5	3.5
ELS-4	4
ELS-5	5
ELS-6	6
ELS-8	8
ELS-10	10
ELS-12	12

*For price information see Section 2 Page 13

*For price information see Section 2 Page 14

