

HAPCO

Insulated Exhaust Tube Wall/Roof Thimbles - Zero Clearance

WT = Wall Thimble • RT = Roof Thimble • (WT or RT to precede Item#)

NUMBER	ITEM #	A (Tube)	B	C	D
1.0"	570100	1.125	5.375	13	10.25
1.25"	570125	1.375	5.75	13	10.25
1.5"	570150	1.625	6.0	13	10.25
2.0"	570200	2.125	6.5	14	11.5
2.5"	570250	2.625	7.0	14	11.5
3.0"	570300	3.125	7.625	15	12.0
3.5"	570350	3.75	8.125	15	12.0
4.0"	570400	4.25	8.625	20	14.25
5.0"	570500	5.25	9.625	20	14.25
6.0"	570600	6.25	10.75	22	16.25
8.0"	570800	8.25	12.875	24	17.25
10.0"	571000	10.25	14.875	28	20.5
12.0"	571200	12.25	16.875	30	23.5
14.0"	571400	14.187	18.187	30	23.5
16.0"	571600	16.187	20.187	32	26.5
18.0"	571800	18.187	22.187	32	26.5
20.0"	572000	20.187	24.187	34	28.5
22.0"	572200	22.187	26.187	36	30.5
24.0"	572400	24.187	28.187	40	32.5
26.0"	572600	26.187	30.187	42	34.5
28.0"	572800	28.187	32.187	44	36.5
30.0"	573000	30.187	34.187	46	38.5

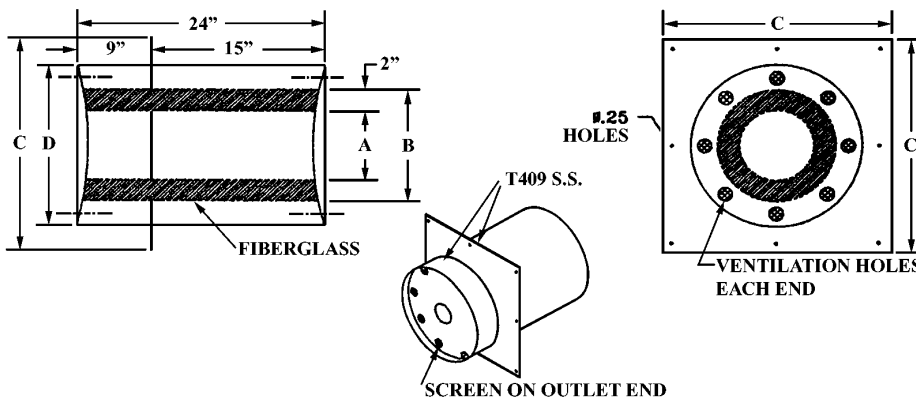
**For price information see Section 2 Page 11*

Recommended Application:

- HAPCO insulated exhaust roof and wall thimbles are recommended for use with exhaust pipes that must pass through a structure.

Features:

- The thimbles prevent exhaust pipe heat from being transmitted to the combustible material
- Insulated exhaust roof and wall thimbles are triple wall **ALL STAINLESS STEEL TYPE 304 CONSTRUCTION**
- Ventilation holes are located on each end to provide air cooling
- Screening is used on outlet end to prevent birds, rodents etc. from entering
- 24" is standard length, for longer requirements multiply list price X 4% for each additional inch
- Roofs with:
 - Pitch 1-12 to 3-12 add \$60.00
 - Pitch 4-12 and 5-12 add \$70.00
 - Pitch 6-12 and up add \$86.00



Accessories:

- Gaskets
- Fasteners