

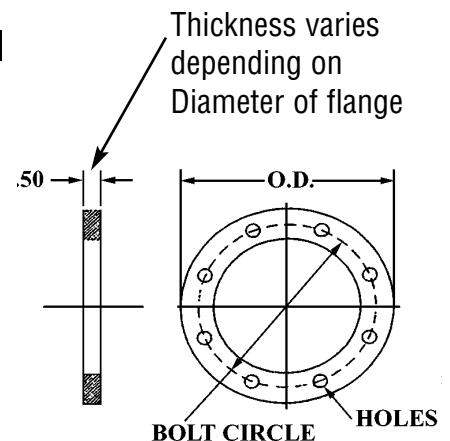
HAPCO
Flanges and Gaskets

SIZE	FLANGE PART #	FLANGE KIT PART #	GASKET PART #	O.D.	B.C.	# BOLT HOLES	HOLE DIA.	NUT & BOLT FASTENER PART #	SIZE
1.25	500125	500125A	500125B	4.625	3.5	4	0.625	50011	.5"
1.5	500150	500150A	500150B	5.0	3.874	4	0.625	50011	.5"
2.0	500200	500200A	500200B	6.0	4.75	4	0.75	50012	.625"
2.5	500250	500250A	500250B	7.0	5.5	4	0.75	50012	.625"
3.0	500300	500300A	500300B	7.5	6.0	4	0.75	50012	.625"
3.5	500350	500350A	500350B	8.5	7.0	8	0.75	50012	.625"
4.0	500400	500400A	500400B	9.0	7.5	8	0.75	50012	.625"
5.0	500500	500500A	500500B	10.0	8.5	8	0.875	50013	.75"
6.0	500600	500600A	500600B	11.0	9.5	8	0.875	50013	.75"
8.0	500800	500800A	500800B	13.5	11.75	8	0.875	50013	.75"
10.0	501000	501000A	501000B	16.0	14.25	12	1.0	50014	.875"
12.0	501200	501200A	501200B	19.0	17.0	12	1.0	50014	.875"
14.0	501400	501400A	501400B	21.0	18.75	12	1.125	50015	1.0"
16.0	501600	501600A	501600B	23.5	21.25	16	1.125	50015	1.0"
18.0	501800	501800A	501800B	25.0	22.75	16	1.25	50016	1.125"
20.0	502000	502000A	502000B	27.5	25.0	20	1.25	50016	1.125"
22.0	502200	502200A	502200B	29.5	27.25	20	1.375	50017	1.25"
24.0	502400	502400A	502400B	32.0	29.5	20	1.375	50017	1.25"
26.0	502600	502600A	502600B	34.25	31.75	24	1.375	50017	1.25"
28.0	502800	502800A	502800B	36.5	34.0	28	1.375	50017	1.25"
30.0	503000	503000A	503000B	38.75	36.0	28	1.375	50017	1.25"

*For price information see Section 2 Page 16 & 17

Features:

- Material specification, carbon steel, .50 thick machined surfaces, 125# flanges
- Optional 304 or 316L stainless
- Flanges are available in O.D. Tube and Sch Pipe, companion flanges
- **Flange Kits consist of:**
 - 2 Flanges
 - 2 Gaskets
 - Nuts & Bolts for 2 flanges
 - Half Kits are also available, consult factory for prices



ITEM #	SPECIAL FLGS	ITEM #	GASKETS	ITEM #	GASKETS
500600CAT	CAT 6	500600G	CAT 6	50120MG	12AC METAL
500800CAT	CAT 8	500800G	CAT 8		
501000CAT	CAT 10	501000G	CAT 10		
501200CAT	CAT 12	501200G	CAT 12		
501400CAT	CAT 14	501400G	CAT 14		
50588CUM	5.88 CUM	50588G	5.88CUM		
50078CUM	7-8 CUM	50078G	7-8CUM		
501200AC	12AC12	501200G	12AC12		
500800DD	DD 8	500800DDG	DD 8		
501000DD	DD 10	501000DDG	DD 10		

*For price information see Section 2 Page 17