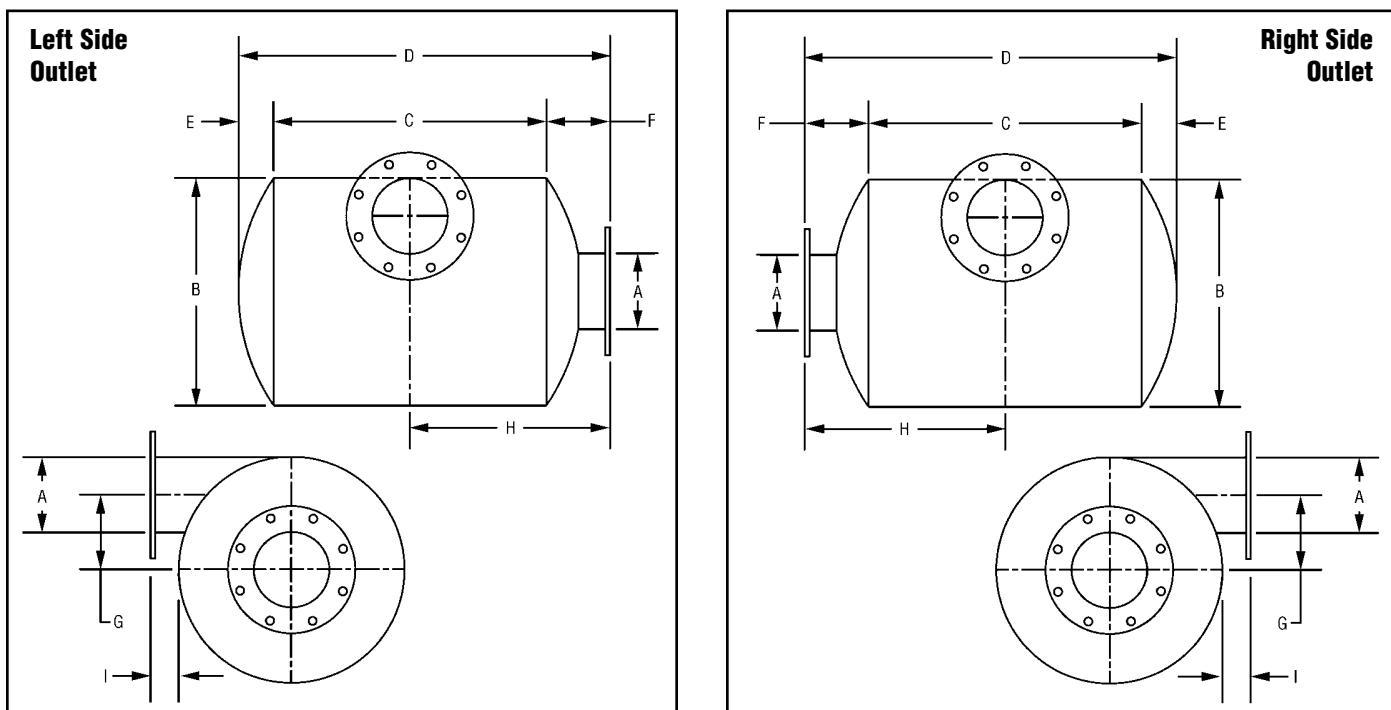


**HAPCO**  
**HCY Impacter Series**  
**Critical Grade Exhaust Silencer**

MODEL	A	B	C	D	E	F	G	H	I
1214HCY3	3.0	12.0	14.0	17.875	.875	3.0	4.5	9.5	2.75
1416HCY3-8	3.5	14.0	16.0	19.875	.875	3.0	5.25	10.75	3.0
1417HCY4	4.0	14.0	17.0	21.375	.875	3.5	5.0	11.5	3.25
1824HCY5	5.0	18.0	24.0	31.0	3.0	4.0	6.5	16.0	3.5
2024HCY6	6.0	20.0	24.0	32.75	3.25	5.5	7.0	17.0	3.75
2428HCY8	8.0	24.0	28.0	37.75	3.75	6.0	8.0	20.0	4.0

\*For price information see Section 2 Page 3



**Recommended Applications:**

- All applications where space is limited

**Ordering Information:**

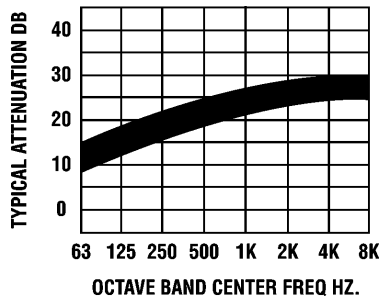
- **Specify Right or Left side outlet**

- Engine:
- CFM:
- FPM:
- KW:
- WT:
- Pressure Drop H2O:
- Exhaust Pipe Size:
- Manufacturers recommended Max. Pressure Loss:

**Features:**

- Compact Design
- Low Pressure Drop
- Flange Connections
- Aluminized Steel Construction
- ABS Certified Welding
- Sound Impingement Design
- High temperature primer and paint

- Average dba at 7 meters = 70 dba
- Average pressure loss 9 - 10" H2O
- *Sample Specification:* The silencer is to be a HCY Impacter Series constructed of aluminized steel (26" body diameter and smaller) or mild steel/aluminized steel combination



**Accessories:**

- Flexible Connectors
- Mounting Bands
- Saddle Supports
- Wye Connectors
- Wall and Roof Thimbles
- High Temp Exhaust Blankets
- Exhaust Stack Rain Guard
- Rain Caps
- Exhaust Pipe Spools
- Elbows
- Flanges of all types
- Clean Outs or Inspection Ports
- Gaskets - Hi Temp
- Nuts & Bolts