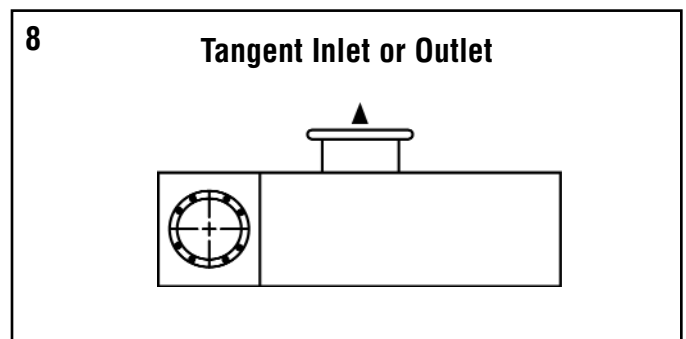
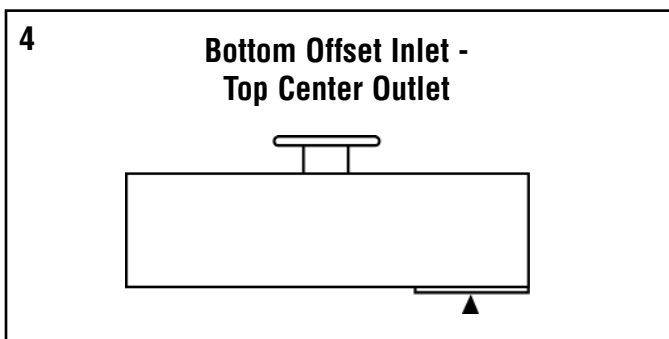
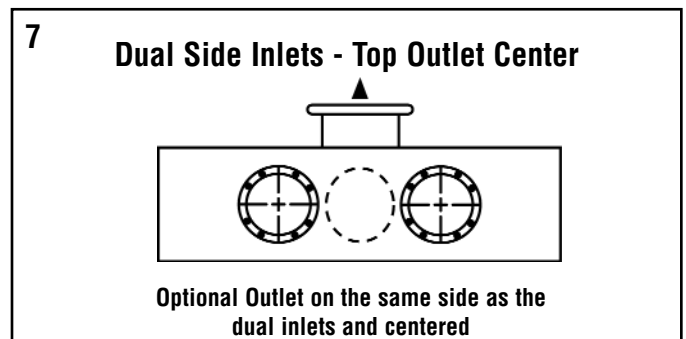
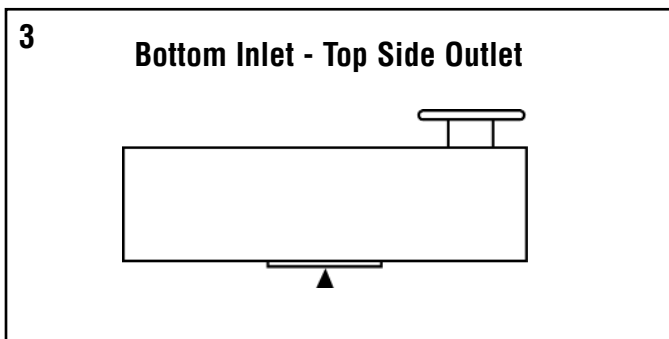
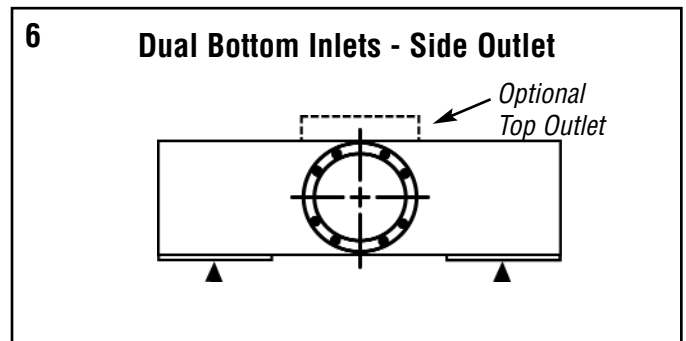
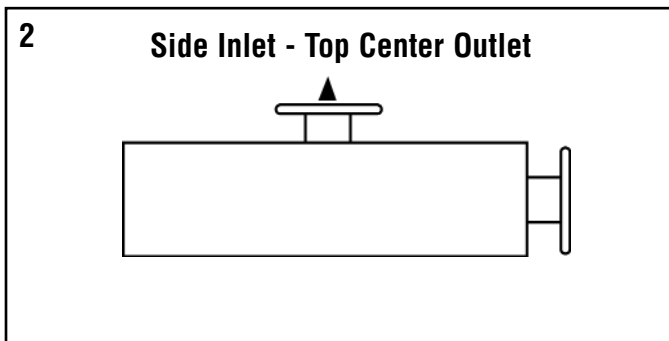
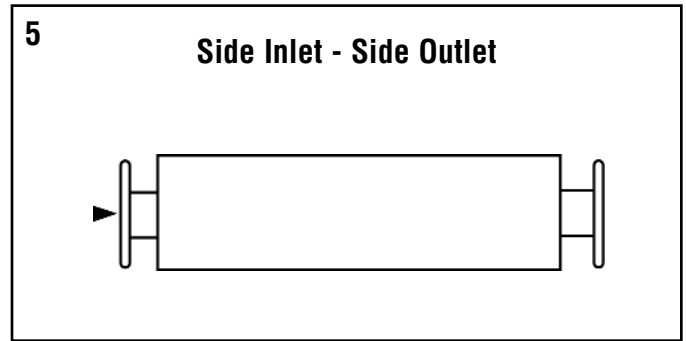
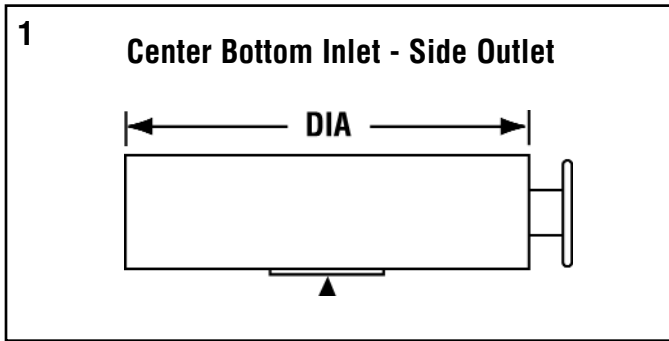


**HAPCO**  
**Low Profile Design RFH, CFH and SFH Series**  
**Inlet / Outlet Configuration Options**



**NOTE:**  
Dual inlets and rectangular outlets are available as an option for additional space savings.  
Rectangular piping, gaskets and rain caps are available where required

**NOTE:**  
#6 - #8 Additional Cost