

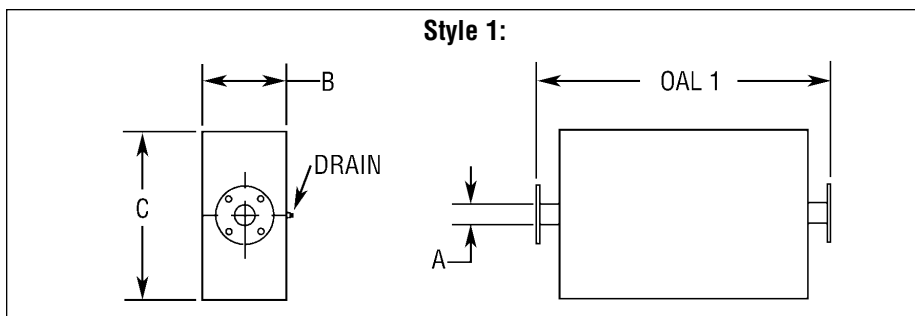
**HAPCO**  
**LPRS Extreme**

SIZE MODEL	A SIZE	B HGT	C WIDTH	1 OAL	2 OAL	3 OAL	F MIN	F MAX	G HGT	WT (Lbs.)
36x60x10EXT	4	10	36	68	64	60	6	18	14	384
38x60x11EXT	5	11	38	68	64	60	8	18	16	414
40x72x12EXT	6	12	40	80	76	72	8	22	16	575
60x96x14EXT	8	14	60	104	100	96	9	31	18	1146
68x102x16EXT	10	16	68	110	106	102	10	32	20	1350
72x114x20EXT	12	20	72	122	118	114	11	36	24	1669
76x114x26EXT	14	26	76	122	118	114	12	35	30	1870
80x120x30EXT	16	30	80	1310	125	120	13	36	34	2119
90x144x30EXT	18	30	90	154	149	144	14	45	34	2765
96x144x30EXT	20	30	96	154	149	144	15	44	36	3000

\*For price information see Section 2 Page 9

\*Note Estimated weight only

Larger size must use our low profile rectangular style silencer. Reference Section 5 Page 10.



**Recommended Applications:**

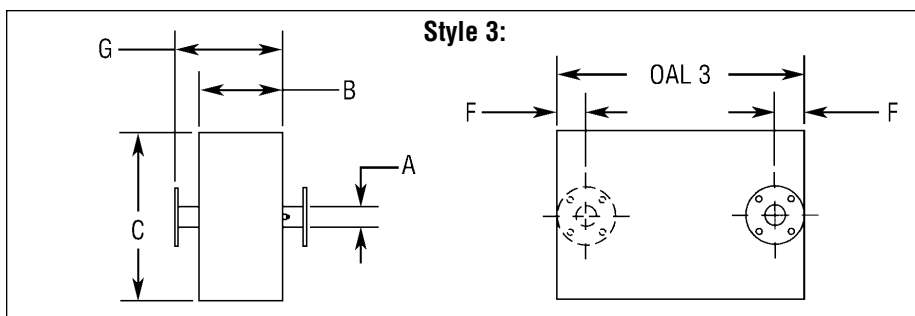
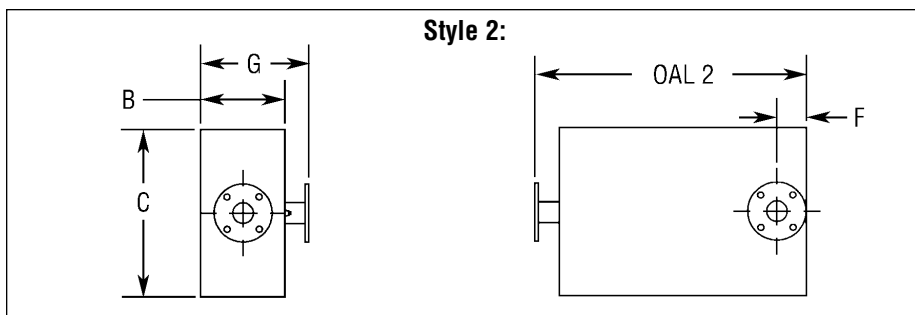
- Hospitals
- Tug and Fishing Boats
- Areas where the surrounding noise level is low

**Features:**

- Attenuation 39 - 47 dBA
- Listed sound data is based on average sound curves and is not to be used as absolute
- Noise reduction is accomplished by a combination of absorption and annulling of noise waves

**Accessories:**

- Flexible Connectors
- Hanger Brackets
- Mounting Bands
- Gaskets HiTemp
- Nuts & Bolts
- Wye Connectors
- Wall & Roof Thimbles
- High Temp Exhaust Blankets
- Support Legs for Vertical Mounting
- Rain Caps
- Exhaust Pipe Spools
- Backfire Relief Vents
- Flanges of all types
- Clean outs or Inspection Ports



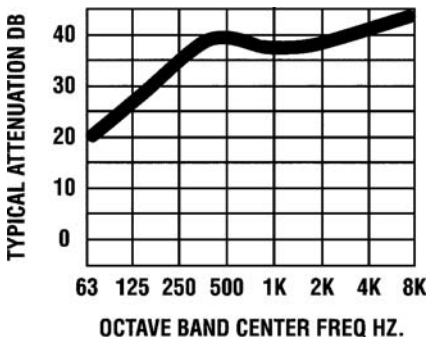
**HAPCO**  
**Super Critical Grade SFH Low Profile (Hockey Puck Profile)**  
**Flush Bottom Inlet**

SIZE MODEL	DWG #	A	B DIA	C	D	E	F	WT (Lbs.)
124SFH1	1400A-1	1	12	4	14	2	0.8125	17
145SFH1-8	1401A-1	1.5	14	5	16	2	2.5	19
166SFH2	1402A-1	2	16	6	18.5	2.5	1	42
207SFH2-8	1403A-1	2.5	20	7	23	3	1	92
268SFH3	1404A-1	3	26	8	29	3	1	97
289SFH3-8	1405A-1	3.5	28	9	31	3	1	141
329SFH4	1406A-1	4	32	9	35	3	1	185
3410SFH5	1407A-1	5	34	10	37	3	1.125	265
4212SFH6	1408A-1	6	42	12	45	3	1.125	391
5214SFH8	1409A-1	8	52	14	55	3	1.125	710
6416SFH10	1410A-1	10	64	16	67	3	1.25	865
7020SFH12	1411A-1	12	70	20	73	3	1.25	1112
7624SFH14	1412A-1	14	76	24	79	3	1.375	1781
822SFH14x16	1413A-1	14	82	26	85	3	1.375	2091
8826SFH16	1414A-1	16	88	26	91	3	1.625	2280
9428SFH18	1415A-1	18	94	28	98	4	1.75	2530
9833SFH20	1416A-1	20	98	33	102	4	1.75	3396

\*For price information see Section 2 Page 6

\*Note Estimated weight only

Larger size must use our low profile rectangular style silencer. Reference Section 5 Page 10.



**Recommended Applications:**

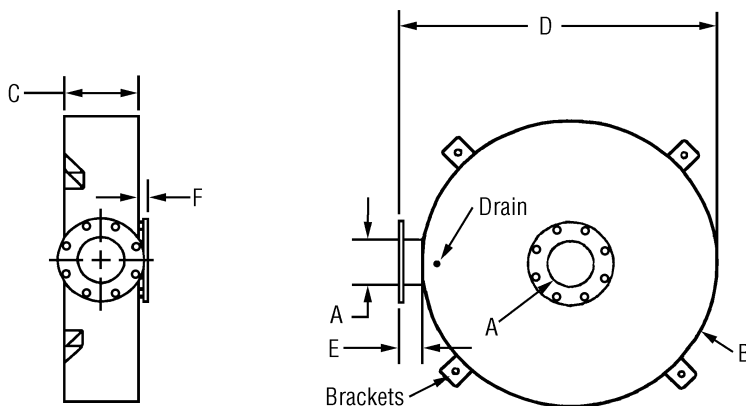
- Engine generator exhaust system for attenuated enclosures
- Marine engine exhaust systems
- ISO containers for emergency power
- Military exhaust systems
- Generator exhaust system in buildings with low overhead such as parking lot facilities
- Waste water plants

**Features:**

- US Patent No. 5, 670, 757
- Low profile, low back pressure, fully insulated top, sides and bottom
- Full insulated internal surfaces greatly reduce radiant heat and shell surface noise
- Mounting brackets included
- Threaded flush mounted flanges for lower profile and greater strength, allows the elimination of insulated wrap for the pipe stubs
- Heavy duty all welded steel or stainless steel
- Attenuation 30-45 dbased upon **velocity not to exceed 9000 FPM**
- Optional inlet and outlet locations
- Optional rectangular outlets for additional space saving

**Accessories:**

- Flexible Connectors
- Hanger Brackets
- Mounting Bands
- Gaskets HiTemp
- Nuts & Bolts
- Wye Connectors
- Wall & Roof Thimbles
- High Temp Exhaust Blankets
- Support Legs for Vertical Mounting
- Rain Caps
- Exhaust Pipe Spools
- Backfire Relief Vents
- Flanges of all types
- Clean outs or Inspection Ports



**HAPCO**  
**Super Critical Grade SFH Series Low Profile**  
**Dual Inlet**

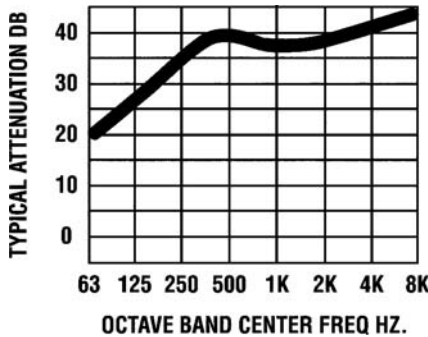
SIZE MODEL	DWG #	A	A1	B DIA	C	D	E	F	G	H	I	WT (Lbs.)
3610SFH3x3x5	1500A-1	3x3	5	36	10	45	3	6	‡	4.5	5.5	216
4010SFH3-8x3-8x5	1501A-1	3.5x3.5	5	40	10	49	3	6	‡	4.75	5.25	302
5011SFH4x4x6	1502A-1	4x4	6	50	11	59	3	6	‡	4.75	6.25	731
5814SFH5x5x8	1503A-1	5x5	8	58	14.5	68	4	6	‡	5.25	9.25	786
6616SFH6x6x10	1504A-1	6x6	10	66	16	76	4	6	‡	5.75	10.25	1050
7624SFH8x8x12	1505A-1	8x8	12	76	24	86	4	6	‡	7.25	16.75	1534
7824SFH10x10x14	1506A-1	10x10	14	78	24	88	4	6	‡	8.25	15.75	1780
9026SFH10x10x16	1507A-1	10x10	16	90	26	100	4	6	‡	8.25	17.75	1896
9428SFH12x12x18	1508A-1	12x12	18	94	28	104	4	6	‡	8.25	19.75	1988
9628SFH12x12x18	1509A-1	12x12	18	96	28	106	4	6	‡	12.25	15.75	2410

\*For price information see Section 2 Page 8

\*Note Estimated weight only

\*\* Larger size must use our low profile rectangular style silencer. Reference Section 5 Page 10

**NOTE:** (G) Dimension determined by engine exhaust size. Threaded flush mounted exhaust inlet flanges. Option inlet and Outlet locations



**Recommended Applications:**

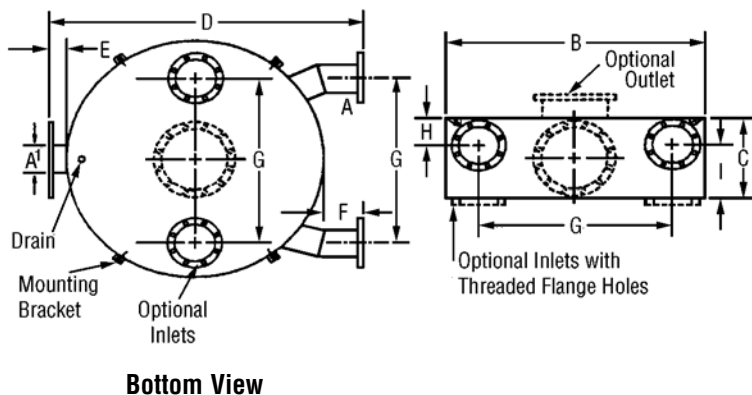
- Engine generator exhaust system for attenuated enclosures
- Marine engine exhaust system
- ISO containers for emergency power
- Military exhaust system
- Generator exhaust system in buildings with low overhead such as parking lot facilities
- Waste water plants

**Features:**

- Attenuation 30-40 dBA based upon exhaust velocity 9000 FPM
- US Patent No. 5, 670, 757
- Low profile dual inlet, low back pressure, low radiant heat
- Insulated top, sides and bottom
- The fully insulated internal shell greatly reduces radiant heat and sound transmission noise through the shell
- All welded steel or stainless steel
- High temperature primer and paint
- Hanger brackets included
- Condensation drain included
- 3" Inlet and above flanged
- Call for quote on optional inlet and outlet locations. Optional rectangular outlets for additional space savings

**Accessories:**

- Flexible Connectors
- Hanger Brackets
- Mounting Bands
- Gaskets HiTemp
- Nuts & Bolts
- Wye Connectors
- Wall & Roof Thimbles
- High Temp Exhaust Blankets
- Support Legs for Vertical Mounting
- Rain Caps
- Exhaust Pipe Spools
- Backfire Relief Vents
- Flanges of all types
- Clean outs or Inspection Ports



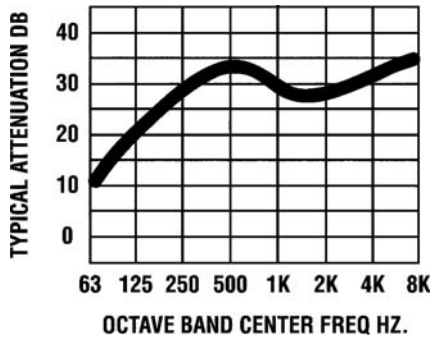
**HAPCO**  
**Critical Grade CFH Series Low Profile**  
**Bottom Inlet**

SIZE MODEL	DWG #	A	B DIA	C	D	E	F	G	WT (Lbs.)
82CFH1	1600A-1	1	8	2	10.5	2.5	3	4	8
123CFH1-8	1601A-1	1.5	12	3	14.5	2.5	3	6	16
143CFH2	1602A-1	2	14	3	16.5	2.5	3	7	24
184CFH2-8	1603A-1	2.5	18	4	20.5	2.5	3	9	48
245CFH3	1604A-1	3	24	5.5	27	3	1	12	81
266CFH3-8	1605A-1	3.5	26	6	29	3	1	13	118
307CFH4	1606A-1	4	30	7	33	3	1	15	160
339CFH5	1607A-1	5	33	9	36	3	1.125	16.5	218
389CFH6	1608A-1	6	38	9.5	41	3	1.125	19	302
4811CFH8	1609A-1	8	48	11	51	3	1.125	24	524
5814CFH10	1610A-1	10	58	14	61	3	1.25	29	805
6017CFH12	1611A-1	12	60	17	63	3	1.25	30	860
7222CFH14	1612A-1	14	72	22	75	3	1.375	36	1500
7424CFH14x16	1613A-1	14	74	24	77	3	1.375	37	1696
7826CFH16	1614A-1	16	78	26	81	3	1.625	39	1954
8828CFH18	1615A-1	18	88	28	92	4	1.75	44	2100
9432CFH20	1616A-1	20	94	32	98	4	1.75	47	
9832CFH20	1617A-1	20	98	32	102	4	1.75	49	

\*For price information see Section 2 Page 3

\*Note Estimated weight only

\*\* Larger size must use our low profile rectangular style silencer. Reference Section 5 Page 10



**Recommended Applications:**

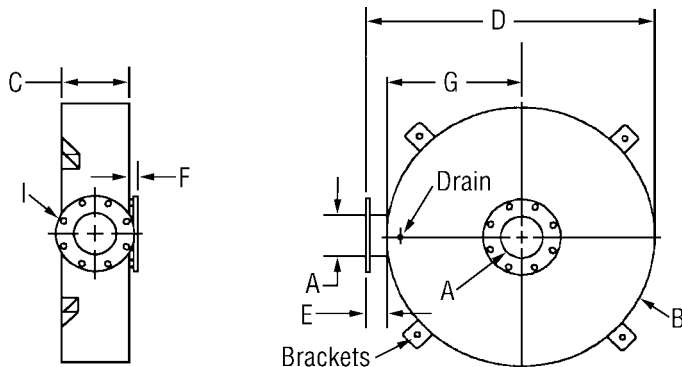
- Engine generator exhaust system for attenuated enclosures
- Marine engine exhaust system
- ISO containers for emergency power
- Military exhaust system
- Generator exhaust system in buildings with low overhead such as parking lot facilities
- Waste water plants

**Features:**

- Attenuation 28-40 dBA based upon velocity not to exceed 9000 FPM
- Low profile, low back pressure
- Internally insulated top and sides for less radiant heat
- Optional bottom internal insulation
- High temperature primer and paint
- Hanger brackets included
- Condensation drain included
- Heavy duty all welded steel or optional stainless steel
- Weld nut threaded flush mount flanges for lower profile and greater strength, allows the elimination of insulated wrap for the pipe stubs
- Call for quote on optional inlet and outlet locations. Optional rectangular outlets for additional space savings

**Accessories:**

- Flexible Connectors
- Hanger Brackets
- Mounting Bands
- Gaskets HiTemp
- Nuts & Bolts
- Wye Connectors
- Wall & Roof Thimbles
- High Temp Exhaust Blankets
- Support Legs for Vertical Mounting
- Rain Caps
- Exhaust Pipe Spools
- Backfire Relief Vents
- Flanges of all types
- Clean outs or Inspection Ports



## HAPCO Critical Grade CFH Series Dual Inlet

SIZE MODEL	DWG #	A	A1	B DIA	C	D	E	F	G	H	I	WT (Lbs.)
338CFH3x3x5	1700A-1	3x3	5	33	8	42	3	6	*	3.5	4.5	206
369CFH3.5x3.5x5	1701A-1	3.5x3.5	5	36	9.5	45	3	6	*	4	5.5	255
4210CFH4x4x6	1702A-1	4x4	6	42	10	51	3	6	*	4.5	5.5	433
5211CFH5x5x8	1703A-1	5x5	8	52	11.5	62	4	6	*	4.5	8	685
6014CFH6x6x10	1704A-1	6x6	10	60	14.5	70	4	6	*	4.75	10.75	955
6818CFH8x8x12	1705A-1	8x8	12	68	18	78	4	6	*	5.5	14.5	1167
7224CFH10x10x14	1706A-1	10x10	14	72	24	82	4	6	*	6.75	17.25	1565
8024CFH10x10x16	1707A-1	10x10	16	80	24	90	4	6	*	6.75	19.25	1970
8824CFH10x10x18	1708A-1	10x10	18	88	24	98	4	6	*	6.75	19.25	2267
9028CFH12x12x18	1709A-1	12x12	18	90	28	100	4	6	*	7.5	20.5	2384
9432CFH14x14x20	1710A-1	14x14	20	94	32	106	4	8	*	8.75	21.25	2892
9634CFH14x14x22	1711A-1	14x14	22	96	34	108	4	8	*	8.75	24.25	3085

\*For price information see Section 2 Page 4

\*Note Estimated weight only

\*\* Larger size must use our low profile rectangular style silencer. Reference Section 5 Page 10

### Features:

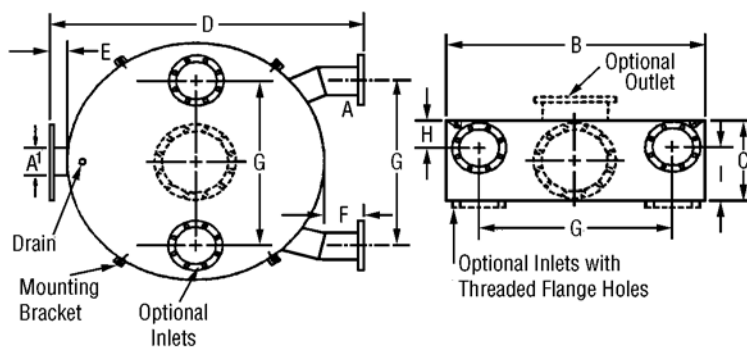
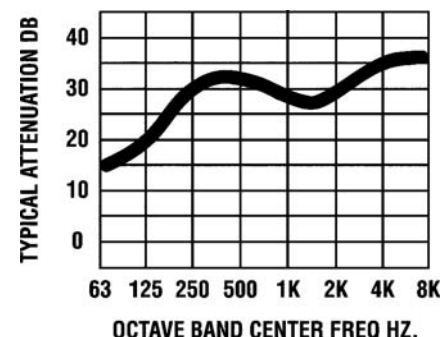
- Attenuation 28-43 dBA based upon **exhaust velocity 9000 FPM**
- Low profile, low back pressure, low radiant heat
- Internally insulated top and sides
- High temperature primer and paint
- Mounting brackets included
- Threaded flush mounted exhaust flange
- Optional inlet and outlet locations
- Optional internal insulation available for bottom
- Optional rectangular outlets for additional space savings

### Accessories:

- Flexible Connectors
- Hanger Brackets
- Mounting Bands
- Gaskets HiTemp
- Nuts & Bolts
- Wye Connectors
- Wall & Roof Thimbles
- High Temp Exhaust Blankets
- Support Legs for Vertical Mounting
- Rain Caps
- Exhaust Pipe Spools
- Backfire Relief Vents
- Flanges of all types
- Clean outs or Inspection Ports

### Recommended Applications:

- Engine generator exhaust system for attenuated enclosures
- Marine engine exhaust system
- ISO containers for emergency power
- Military exhaust system
- Generator exhaust system in buildings with low overhead such as parking lot facilities
- Waste water plants



Bottom View

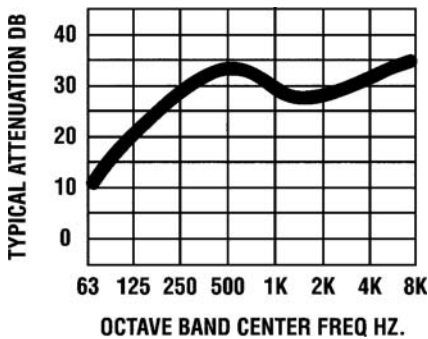
**Critical Grade CFHI Series Insulated Top, Side & Bottom  
Low Profile - Bottom Inlet**

SIZE MODEL	DWG #	A	B	C	D	E	F	G	WT (Lbs.)
185CFHI2-8	1800A-1	2.5	18	5	20.5	2.5	3	9	57
246CFHI3	1801A-1	3	24	6.5	27	3	1	12	105
267CFHI3-8	1802A-1	3.5	26	7	29	3	1	13	146
308CFHI4	1803A-1	4	30	8	33	3	1	15	198
3310CFHI5	1804A-1	5	33	10	36	3	1.125	16.5	263
3810CFHI6	1805A-1	6	38	10.5	41	3	1.125	19	362
4812CFHI8	1806A-1	8	48	12	51	3	1.125	24	652
5815CFHI10	1807A-1	10	58	15	61	3	1.25	29	992
6018CFHI12	1808A-1	12	60	18	63	3	1.25	30	1060
7222CFHI14	1809A-1	14	72	22	75	3	1.375	36	1788
7424CFHI14x16	1810A-1	14	74	24	77	3	1.375	37	1804
7826CFHI16	1811A-1	16	78	26	81	3	1.625	39	2292
8828CFHI18	1812A-1	18	88	28	92	4	1.75	44	2530
9432CFHI20	1813A-1	20	94	32	98	4	1.75	47	
9832CFHI20	1814A-1	20	98	32	102	4	1.75	49	

\*For price information see Section 2 Page 3

\*Note Estimated weight only

\*\* Larger size must use our low profile rectangular style silencer. Reference Section 5 Page 10



**Recommended Applications:**

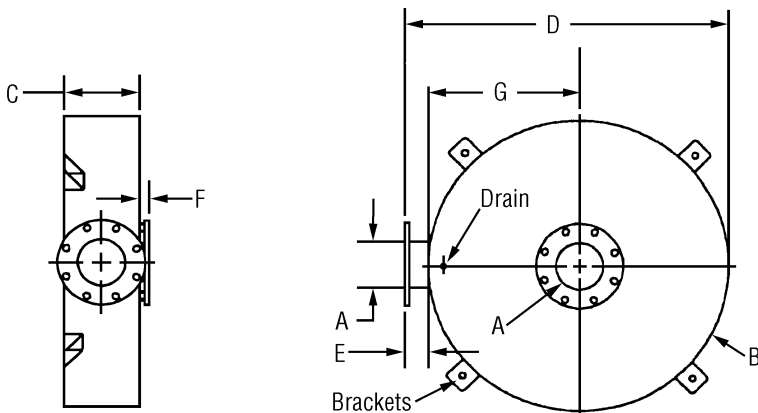
- Engine generator exhaust system for attenuated enclosures
- Marine engine exhaust system
- ISO containers for emergency power
- Military exhaust system
- Generator exhaust system in buildings with low overhead such as parking lot facilities
- Waste water plants

**Features:**

- Attenuation 28-40 dBA based upon velocity not to exceed 9000 FPM
- Low profile, low back pressure
- Internally insulated top, sides and bottom for less radiant heat
- High temperature primer and paint
- Hanger brackets included
- Condensation drain included
- Heavy duty all welded steel or optional stainless steel
- Weld nut threaded flush mount flanges for lower profile and greater strength, allows the elimination of insulated wrap for the pipe stubs
- Call for quote on optional inlet and outlet locations
- Optional rectangular outlets for additional space savings

**Accessories:**

- Flexible Connectors
- Hanger Brackets
- Mounting Bands
- Gaskets HiTemp
- Nuts & Bolts
- Wye Connectors
- Wall & Roof Thimbles
- High Temp Exhaust Blankets
- Support Legs for Vertical Mounting
- Rain Caps
- Exhaust Pipe Spools
- Backfire Relief Vents
- Flanges of all types
- Clean outs or Inspection Ports



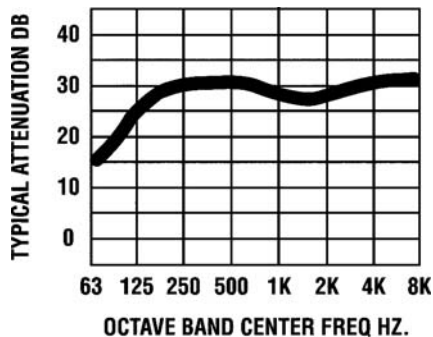
## HAPCO Residential Grade - RFH Series Low Profile Bottom Inlet

SIZE MODEL	DWG #	A	B DIA	C	D	E	F	G	WT (Lbs.)
62RFH1	1900A-1	1	6	2.5	8	2	3	3	3
103RFH1-8	1901A-1	1.5	10	3	12	2	3	5	8
123RFH2	1902A-1	2	12	3.5	14.5	2	3	6	17
164RFH2-8	1903A-1	2.5	16	4.5	18.5	2	3	8	34
204RFH3	1904A-1	3	20	4.5	23	3	1	10	47
245RFH3-8	1904A-1	3.5	24	5	27	3	1	10	52
286RFH4	1906A-1	4	28	6	31	3	1	14	147
307RFH5	1907A-1	5	30	7	33	3	1.125	15	209
368RFH6	1908A-1	6	36	8	39	3	1.125	18	261
4010RFH8	1909A-1	8	40	10	43	3	1.125	20	340
5012RFH10	1910A-1	10	50	12	53	3	1.25	25	594
5814RFH12	1911A-1	12	58	14	61	3	1.25	29	812
6416RFH14	1912A-1	14	64	16	68	4	1.375	32	1315
6818RFH14x16	1913A-1	14	68	18	72	4	1.375	34	1191
7218RFH16	1914A-1	16	72	18	76	4	1.625	36	1327
7818RFH16	1915A-1	16	78	18	82	4	1.625	39	1650
8020RFH18	1916A-1	18	80	20	84	4	1.75	40	1956
8822RFH20	1917A-1	20	88	22	92	4	1.75	44	2260
9428RFH22	1918A-1	22	94	28	98	4	1.812	47	2475
9832RFH24	1919A-1	24	98	32	102	4	1.812	49	

\*For price information see Section 2 Page 1

\*Note Estimated weight only

\*\* Larger size must use our low profile rectangular style silencer. Reference Section 5 Page 10



### Recommended Applications:

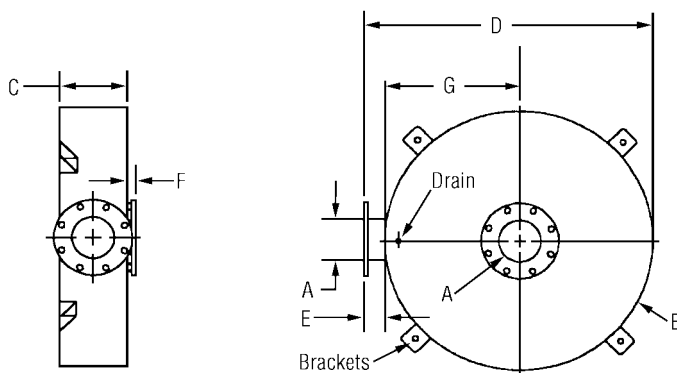
- Engine generator exhaust system for attenuated enclosures
- Marine engine exhaust system
- ISO containers for emergency power
- Military exhaust system
- Generator exhaust system in buildings with low overhead such as parking lot facilities
- Waste water plants

### Features:

- Attenuation 18-30 dBA
- Low profile, low back pressure
- Internally insulated top and sides for less radiant heat
- Heavy duty all welded steel
- High temperature primer and paint
- Hanger brackets included
- Condensation drain included
- Threaded flush mounted flanges
- Call for quote on optional inlet or outlet locations
- Optional rectangular outlets for additional space savings

### Accessories:

- Flexible Connectors
- Hanger Brackets
- Mounting Bands
- Gaskets HiTemp
- Nuts & Bolts
- Wye Connectors
- Wall & Roof Thimbles
- High Temp Exhaust Blankets
- Support Legs for Vertical Mounting
- Rain Caps
- Exhaust Pipe Spools
- Backfire Relief Vents
- Flanges of all types
- Clean outs or Inspection Ports



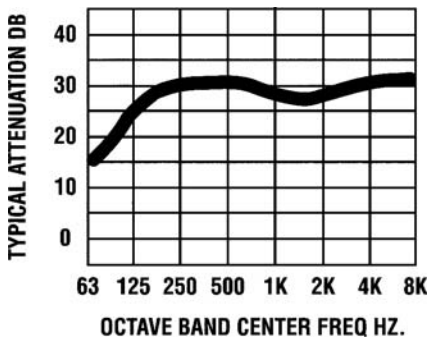
**HAPCO**  
**Residential Grade - RFH Series Low Profile**  
**Dual Inlet**

SIZE MODEL	DWG #	A	A1	B	C	D	E	F	G	H	I	J	WT (Lbs.)
307RFH3x3x5	2000A-1	3x3	5	30	7	39	3	6	*	3.5	3.5	1.5	173
337RFH3.5x3.5x5	2001A-1	3.5x3.5	5	33	7	42	3	6	*	4	4	1.5	210
368RFH4x4x6	2002A-1	4x4	6	36	8	45	3	6	*	4.5	4	1.5	227
4011RFH5x5x8	2003A-1	5x5	8	40	11	50	4	6	*	4.5	6.5	1.5	277
5013RFH6x6x10	2004A-1	6x6	10	50	13	60	4	6	*	5.5	8.5	1.5	628
5815RFH8x8x12	2005A-1	8x8	12	58	15	78	4	6	*	6.75	9.25	1.5	1167
6417RFH10x10x14	2006A-1	10x10	14	64	17	74	4	6	*	6.75	11.25	1.5	1344
7219RFH12x12x16	2007A-1	12x12	16	72	19	82	4	6	*	6.75	13.25	1.5	1620
7621RFH10x10x18	2008A-1	10x10	18	76	21	86	4	6	*	6.75	15.25	1.5	1795
8021RFH12x12x18	2009A-1	12x12	18	80	21	90	4	6	*	7.5	16.5	1.5	1971
8824RFH14x14x20	2010A-1	14x14	20	88	24	100	4	8	*	8.75	17.25	1.5	2198
9026RFH14x14x22	2011A-1	14x14	22	90	26	102	4	8	*	8.75	23.25	1.5	2716
9830RFH16x16x24	2012A-1	16x16	24	98	30	110	4	8	*	9.75	24.25	1.5	3280

\*For price information see Section 2 Page 1

\*Note Estimated weight only

\*\* Larger size must use our low profile rectangular style silencer. Reference Section 5 Page 10

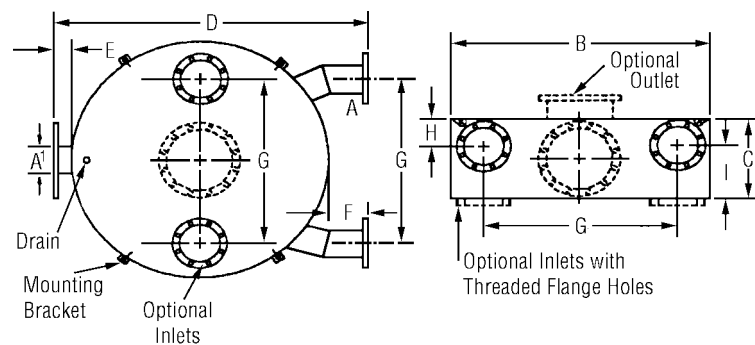


**Recommended Applications:**

- Engine generator exhaust system for attenuated enclosures
- Marine engine exhaust system
- ISO containers for emergency power
- Military exhaust system
- Generator exhaust system in buildings with low overhead such as parking lot facilities
- Waste water plants

**Features:**

- Attenuation 18-30 dBA
- Dual inlet - low profile design
- Low back pressure
- Insulated top for low radiant heat
- Versatile optional inlets and outlets
- 3" and larger flanged
- Condensation drain included
- All welded steel or stainless steel construction
- Note (G) dimension determined by engine exhaust dimension
- Threaded flush mounted flanges
- Optional rectangular outlets for additional space savings



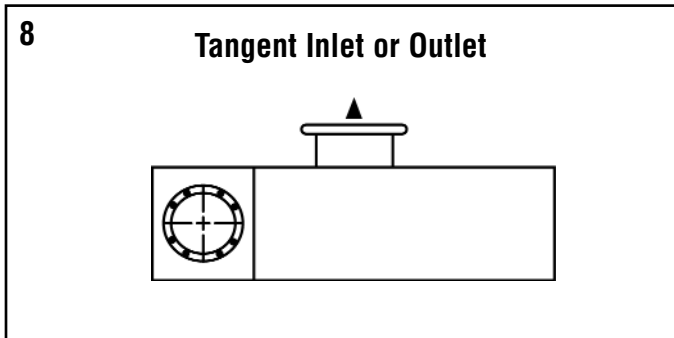
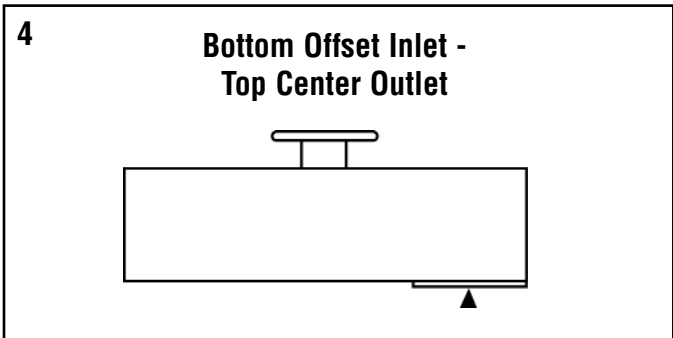
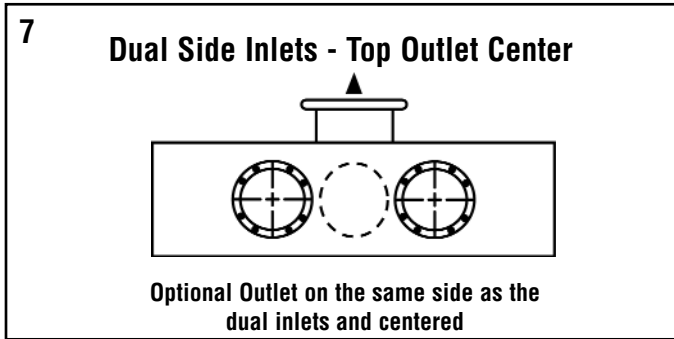
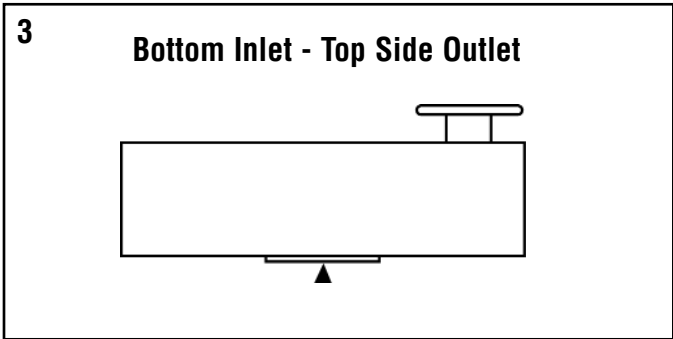
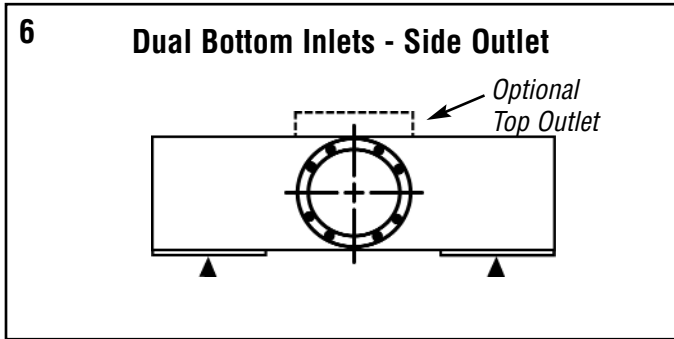
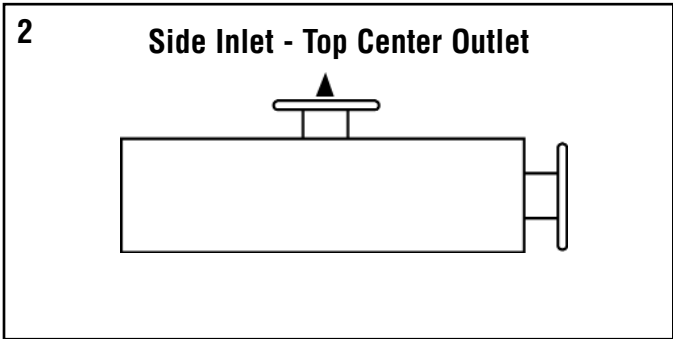
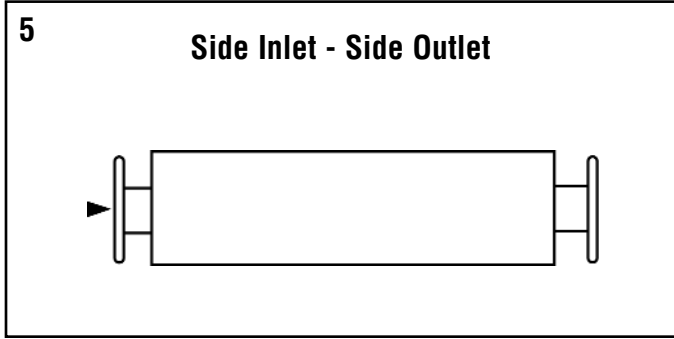
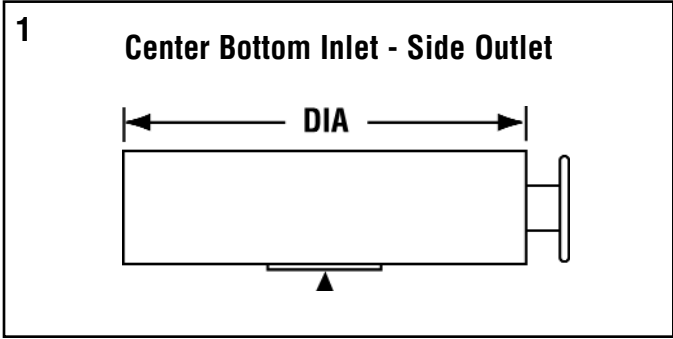
**Bottom View**

**Accessories:**

- Flexible Connectors
- Hanger Brackets
- Mounting Bands
- Gaskets HiTemp
- Nuts & Bolts
- Wye Connectors
- Wall & Roof Thimbles
- High Temp Exhaust Blankets
- Support Legs for Vertical Mounting
- Rain Caps
- Exhaust Pipe Spools
- Backfire Relief Vents
- Flanges of all types
- Clean outs or Inspection Ports



**HAPCO**  
**Low Profile Design RFH, CFH and SFH Series**  
**Inlet / Outlet Configuration Options**

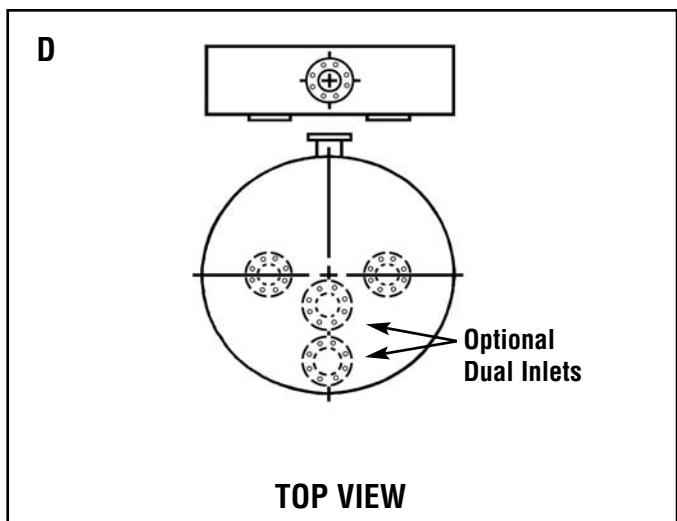
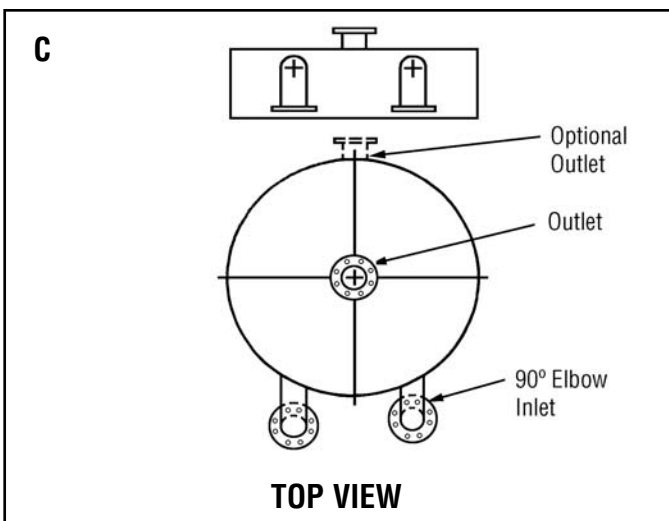
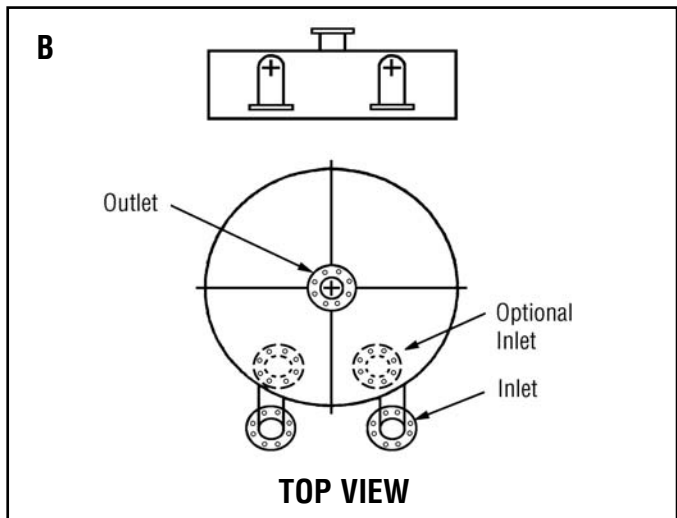
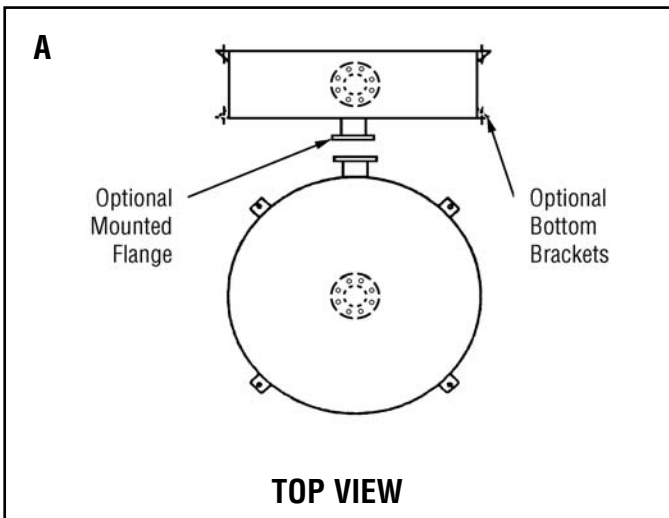


**NOTE:**  
 Dual inlets and rectangular outlets are available as an option for additional space savings.  
 Rectangular piping, gaskets and rain caps are available where required

**NOTE:**  
**#6 - #8 Additional Cost**

**HAPCO**  
**Low Profile**  
**Silencer Options**

HANGER BRACKETS SET	DUAL INLETS SIDE IN WITH PIPE ELBOWS	DUAL INLETS OUTLET OPTIONS	DUAL INLETS BOTTOM INLET WITH WELD NUTS
OPTION A	OPTION B	OPTION C	OPTION D
OUTLET SIZE	INLET SIZE	INLET SIZE	OUTLET SIZE
2.5" - 3"	5" - 6"	5" - 6"	5" - 6"
3.5" - 4"	8" - 10"	8" - 10"	8" - 10"
5" - 6"	12" - 14"	12" - 14"	12" - 14"
8" - 10"	16" - 18"	16" - 18"	16" - 18"
12" - 14"	20" - 24"	20" - 24"	20" - 24"
16" - 20"			



**HAPCO**  
**LPRS Series**  
**Rectangular Low Profile**

## LPRS Series

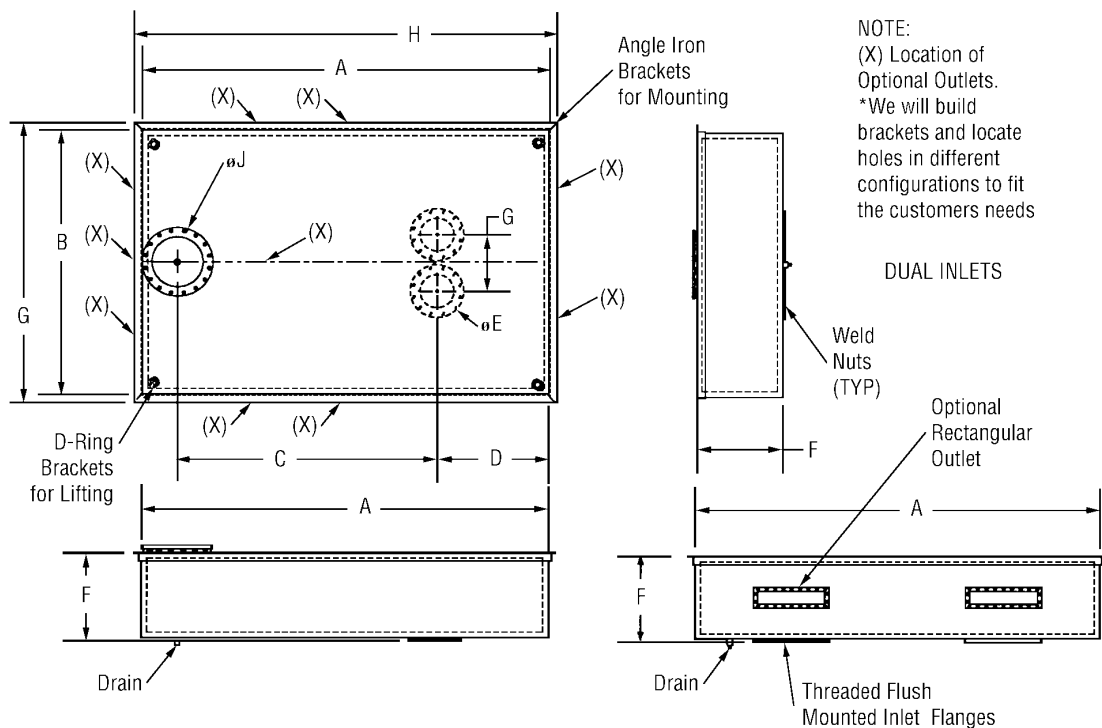
The HAPCO Low Profile engine exhaust silencer is designed in a rectangular format to be used as part of the roof structure on generator enclosures and where the silencer envelope is limited.

### Features:

- Rectangular silencers are available for all engines. Call for prices, sizes and availability
- Recommended for Critical Grade and Super Critical applications
- Insulated internally
- A particulate trap can be designed into the silencer with access doors

### Information needed when ordering:

- Engine type
- CFM
- Exhaust temperature of engine
- Maximum back pressure allowed by manufacturer
- What type of structure the silencer will be installed into
- The envelope or space that is available for the silencer
- Noise specification required at a prescribed distance



All the dimension letters necessary to identify the size of the silencer. Please refer to this page when placing an order. INLETS or OUTLETS can have different locations, depending on the engine and other elements.

***When ordering a silencer with rectangular Inlet or Outlet ducts, please contact HARCO Manufacturing's Engineering Department for duct size and components. Components consist of rectangular 90 degree elbows, gaskets, insulated flange ducting and weather stop.***

**HAPCO**  
**Low Profile Series Dual CFH Silencer in Tandem**  
**Test Chart**

**Test distance:** 6 feet from exhaust outlet  
**Pressure drop:** 10" to 12" H<sub>2</sub>O

**Velocity:** 7000FPM  
**Engine:** Cat 3516B

